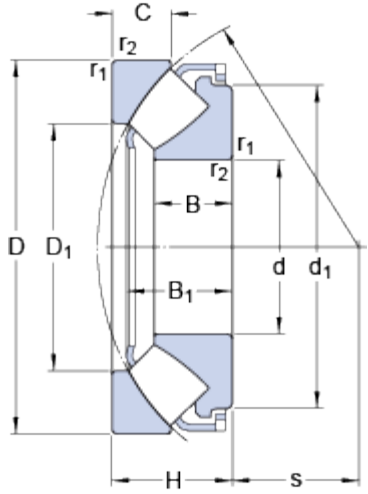


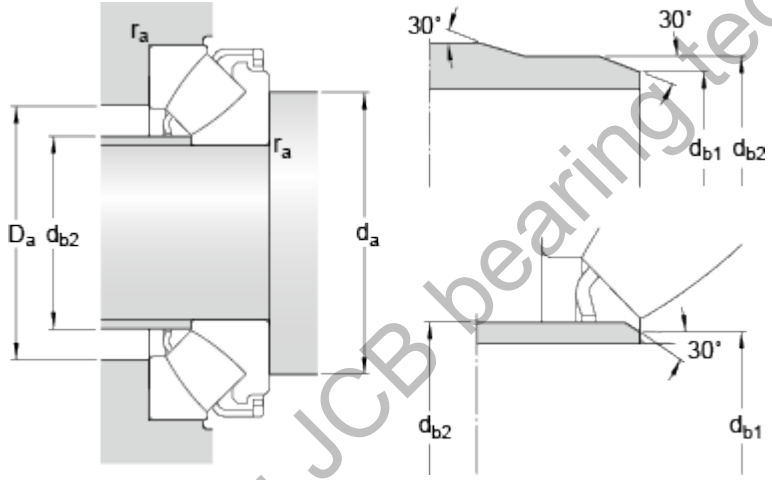
▶
29334

Dimensions



| | | |
|------------------|--------|----|
| d | 170 | mm |
| D | 280 | mm |
| H | 67 | mm |
| d ₁ | ≈ 251 | mm |
| D ₁ | ≈ 215 | mm |
| B | 42.2 | mm |
| B ₁ | 61.1 | mm |
| C | 30.5 | mm |
| s | 96 | mm |
| r _{1,2} | min. 3 | mm |

Abutment dimensions



| | | |
|-----------------|----------|----|
| d _a | min. 220 | mm |
| d _{b1} | max. 178 | mm |
| d _{b2} | max. 188 | mm |
| D _a | max. 245 | mm |
| r _a | max. 2.5 | mm |

Calculation data

| | | | |
|---------------------------|----------------|------|-------|
| Basic dynamic load rating | C | 1200 | kN |
| Basic static load rating | C ₀ | 3550 | kN |
| Fatigue load limit | P _u | 365 | kN |
| Reference speed | | 1300 | r/min |
| Limiting speed | | 2200 | r/min |
| Minimum axial load factor | A | 1.2 | |

Mass

| | | | |
|--------------|--|----|----|
| Mass bearing | | 15 | kg |
|--------------|--|----|----|